

## ❗ THINGS TO KEEP IN MIND BEFORE INSTALLATION

### i SELECTING A LOCATION

- When considering where to place the spa, it might be desirable to rotate the spa so that you have the best view of the surroundings when bathing. The selected rotation must correspond to the preparation of foundation and piping.
- Ideally, the location of the spa should be private and protected from wind.
- If possible, place the spa close to the house in order to increase comfort during winter months. It is important that the selected location is easily accessible.
- It is necessary to shower before using the spa, therefore it is preferred to have a shower in close proximity to the spa.

### i SPACE REQUIREMENTS

- Place the spa in a position so that the technological entrance is accessible for servicing and maintenance. Leave at least 80 cm of free space in front of the technological entrance.
- Do not forget to have a suitable space for placing the thermal cover. Keep in mind that after opening the thermal cover, condensed water will drop from it.
- If the spa is equipped with a Coverlift or a mechanical cover, it is necessary to leave 50 cm of free space around the perimeter of the spa.
- If the spa is located inside or under a roof, there needs to be at least 130 cm of free space above the spa in order to allow the thermal cover to open.

**The pre-site preparations must always be solved according to local conditions. The processing of these documents into the project is the task of the buyer's designer, who is responsible for any potential adjustments related to the specific construction site and location.**

### i SPECIFICS OF EXTERIOR INSTALLATIONS

- An outside installation of a spa with cabinet requires an even reinforced surface with sufficient load-carrying capacity.
- In case of installation on a balcony or roof terrace, the load-carrying capacity must be verified by a structural engineer.
- Ensure that there is sufficient drainage around the spa in case of intense rain.

### i SPECIFICS OF INTERIOR INSTALLATIONS

- For interior installations, it is necessary to ensure that the floor and walls are protected with suitable humidity-resistant covers.
- The room needs to be equipped with a floor drain.
- In small or excessively heated areas (Aqua parks etc.), the water in the spa could potentially overheat without the electrical heating turned on. In this case it is necessary to ensure that the technology under the spa is ventilated by air from a cooler area.
- Using the spa and removing the thermal cover increases the humidity in the room, therefore it is recommended to ensure suitable ventilation or installing a dehumidifier.
- Please note that the spa may produce noise when in operation, therefore it is important to adapt building structures and cover materials.

## ❗ INSTALLATION / MOVING

- The minimum dimensions for moving the spa are listed in the model specification table. These dimensions will ensure that the spa will pass through gates, between houses, fences, around corners etc.
- In case of lack of space, a spa with cabinet may be delivered disassembled (the cabinet and shell separately); this must however be approved in advance and in written by both parties.
- Delivery is usually carried out by two employees of the seller. Moving the spa from the parking area requires a crane or a suitable number of persons as per the contract; this is secured by the buyer.

# REQUIREMENTS ON THE CLIENT PRE-SITE PREPARATIONS

Model Persea<sup>iN</sup>

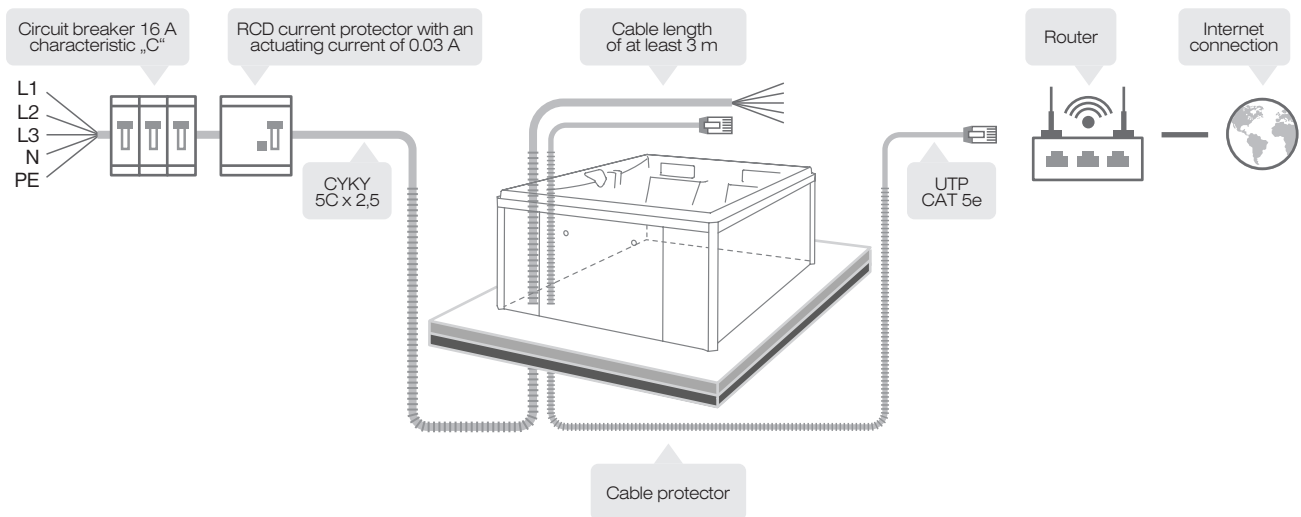


## ⓘ POWER CONNECTION

- The spa requires a separate circuit with a RCD protector, actuating current of 0.03 A.
- Standard connection – 16 A circuit breaker, characteristic “C”, TN-C-S AC 400 V 50 Hz, CYKY 5C x 2.5 conductor, maximum synchronous power drain of 8 kW.
- The minimum length of the power supply cable must be 3 m from the point defined in the attached installation alternatives. The conductor must always be directly and firmly connected to the spa switchboard.

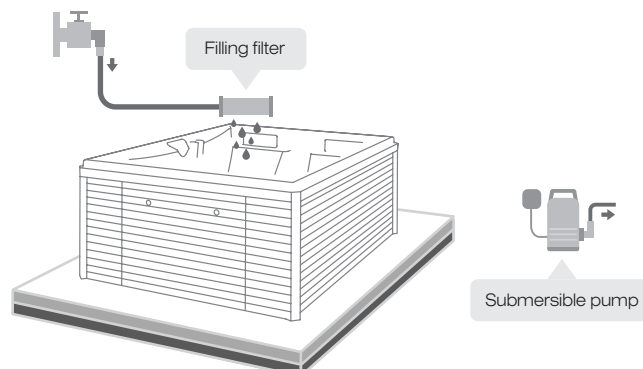
## ⓘ INTERNET CONNECTION

- In order to connect the spa to the internet and potentially to smart house administration, it is necessary to use a UTP CAT 5e cable.



## ⓘ WATER SUPPLY AND DRAINAGE

- Spas are separate units; we do not recommend a fixed connection to the water supply or drainage and we do not provide such installations.
- The spa should be filled using standard tap water. Untreated water, e.g. from wells, may contain various minerals that could complicate the treatment of water in the spa or damage certain spa components. Such defects are not covered by the warranty.
- When filling the spa with water, we recommend using a filling filter (available at your reseller).
- The ideal way of draining the spa is by using a submersible pump or via a drain at the bottom connected to a hose in the spa technology area.

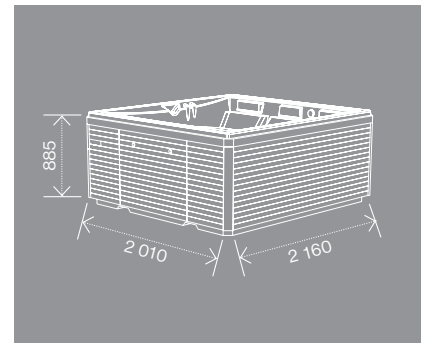
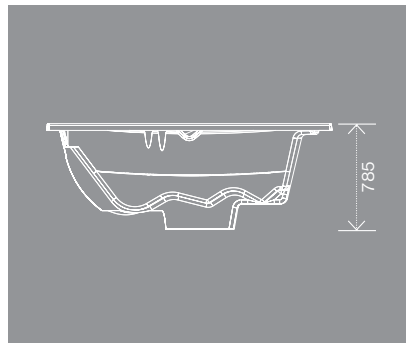
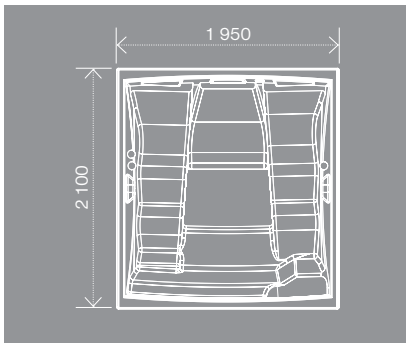


# REQUIREMENTS ON THE CLIENT PRE-SITE PREPARATIONS

Model Persea<sup>iN</sup>



## i BASIC MODEL SPECIFICATION



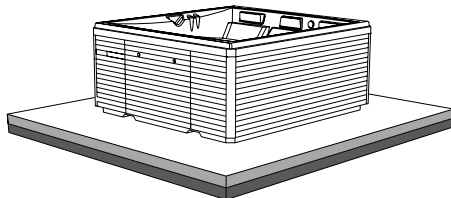
Dimensions of the shell	<b>1 950 × 2 100 × 785 mm</b>
Dimensions including cabinet	<b>2 010 × 2 160 × 885 mm</b>
Min. spacial requirements in case of moving	<b>2 110 × 985 mm</b>

Water volume	<b>930 l</b>
Dry weight	<b>360 kg</b>
Weight with water including 5 persons (each weighing 80 kg)	<b>1 690 kg</b>

## i INSTALLATION ALTERNATIVE 1

in a wooden cabinet

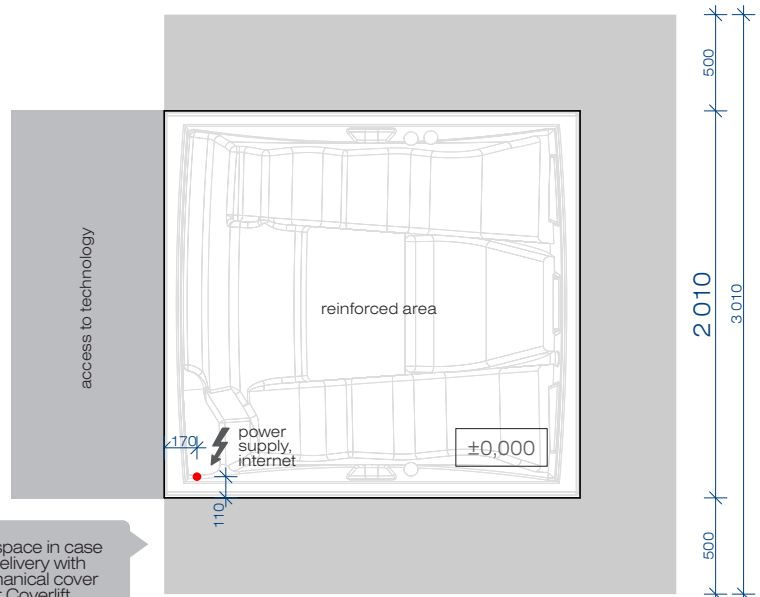
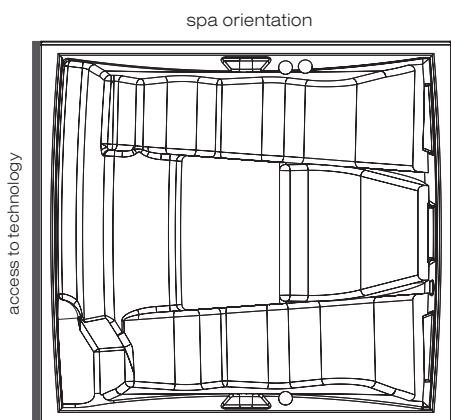
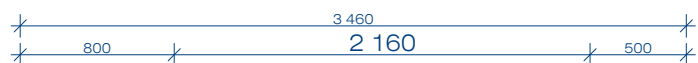
- The spa must always be installed on a solid and even foundation with sufficient load-bearing capacity such as concrete desk, e.g. concrete desk, interlocking pavement, concrete tiles etc.



### Example how to prepare the foundation

Concrete desk with a thickness of 10-15 cm and with the following composition:

- Concrete with steel mesh
- Compressed gravel



# REQUIREMENTS ON THE CLIENT PRE-SITE PREPARATIONS

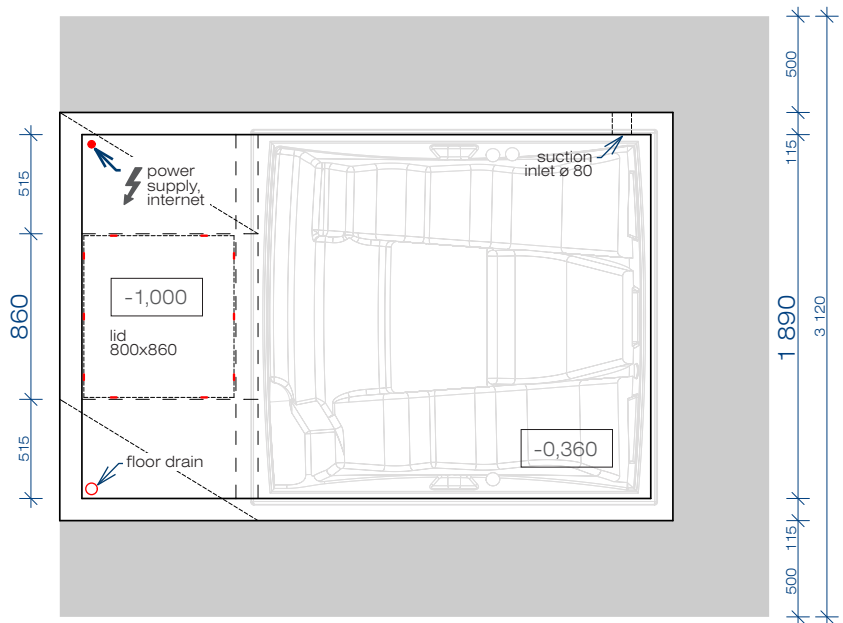
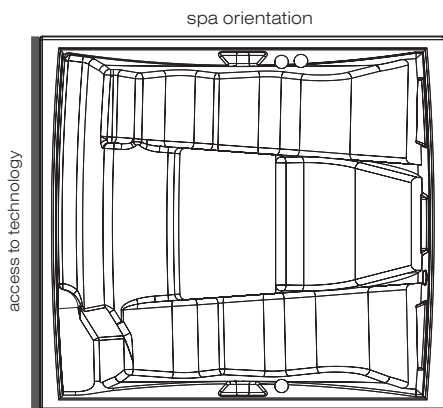
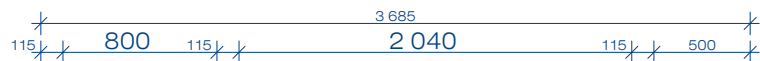
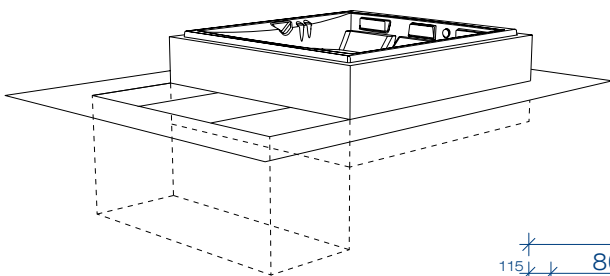
Model Persea<sup>iN</sup>



## 1 INSTALLATION ALTERNATIVE 2

semi integrated including technology shaft

- For this alternative, the spa is delivered without the cabinet.
- It is necessary to ensure support for the bottom and lip of the shell in order to guarantee the spa's stability during use and when filled with water.
- The surface of the upper edge, where the lip of the shell will be placed, must have a smooth and straight finish.
- The minimum width of the brick lining is 115 mm.
- When using the accessory "external temperature display", it is necessary to ensure a cable guide passage with a diameter of 10 mm.



Free space in case of delivery with mechanical cover

